

RoughDeck PW-1

PALLET SCALES



RICE LAKE[®]
WEIGHING SYSTEMS

800-472-6703
www.ricelake.com

RoughDeck PW-1 PALLET SCALES

Easy to Use in Tough Material Handling Environments

Rice Lake's RoughDeck® PW-1 pallet scale is an economical alternative to a floor scale in non-commercial and industrial weighing environments. The u-shape decreases cycle time when weighing pallets by allowing a pallet jack or forklift to quickly unload the pallet on the u-shaped deck, reload and transfer the goods with less travel involved than traditional floor scales. Available in both mild and stainless steel, the PW-1 pallet scale comes in a variety of sizes and capacities, as well as with an optional wheel kit for easy portability.

A low-profile design ensures a wider variety of pallets, skids and totes can be weighed on the scale. The PW-1 features a fast and simple installation process and is available in a portable or permanent configuration.

Standard Features

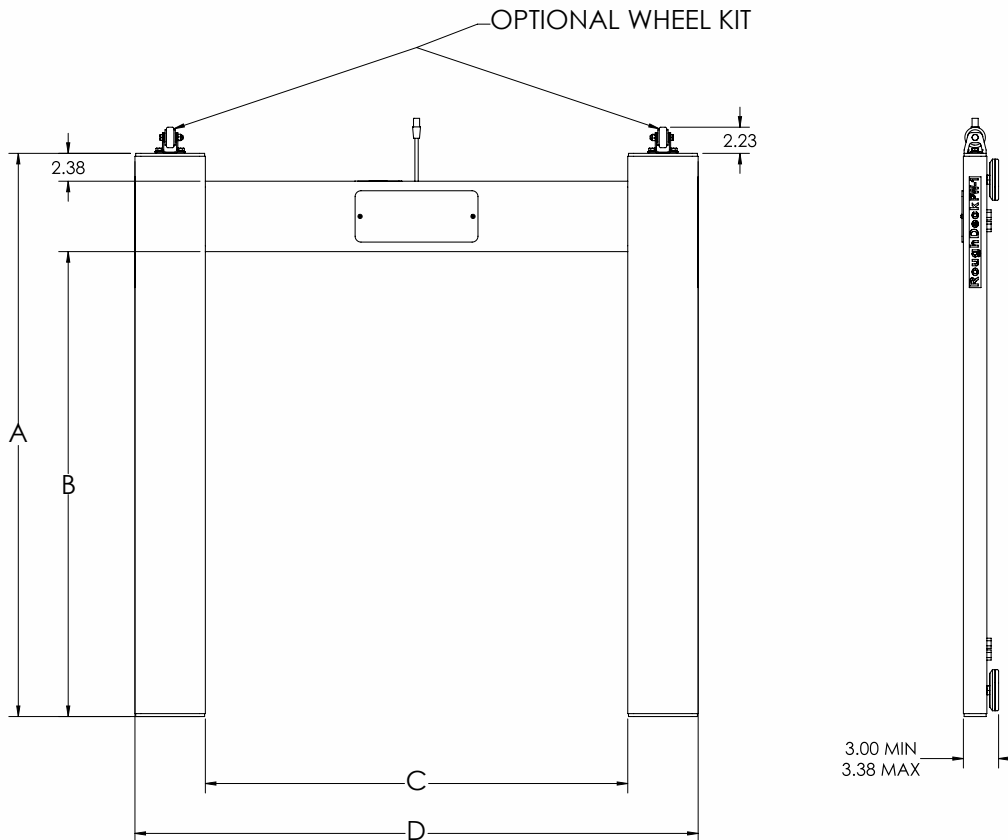
- Low-profile design
- 20 feet SURVIVOR® EL147HE hostile environment load cell cable with quick disconnect
- Top-access junction box
- TuffSeal JB4SS stainless steel, NEMA Type 4X junction box with signal trim card
- Four adjustable stainless steel SUREFOOT™ support feet
- Four NTEP Certified, shear beam load cells in either alloy steel (for mild steel scales) or stainless steel (for stainless steel scales)

Options

- Wheel kit



Optional wheel kit



DIMENSIONS	
4 ft x 4 ft (160 lb)	
A	48.00
B	39.63
C	36.00
D	48.00
4 ft x 5 ft (170 lb)	
A	48.00
B	39.63
C	48.00
D	60.00
5 ft x 5 ft (195 lb)	
A	60.00
B	51.63
C	48.00
D	60.00

Your Rice Lake Weighing Systems distributor is:

RICE LAKE
WEIGHING SYSTEMS

230 W. Coleman St. • Rice Lake, WI 54868 • USA
TEL: 715-234-9171 • FAX: 715-234-6967 • www.ricelake.com

An ISO 9001 registered company © 2016 Rice Lake Weighing Systems PN 180876 12/16
Specifications subject to change without notice.